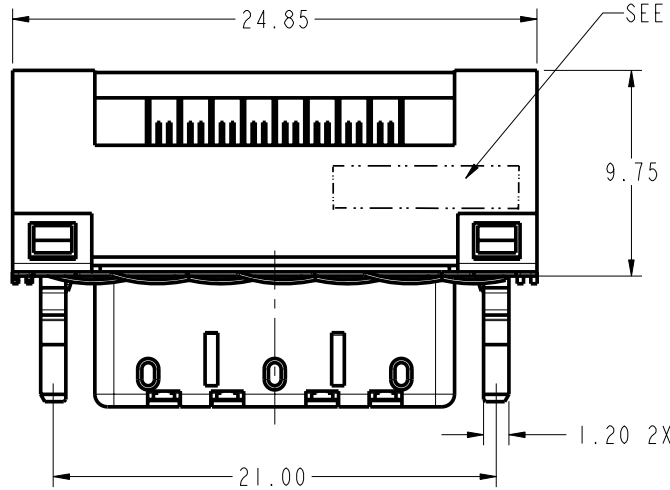
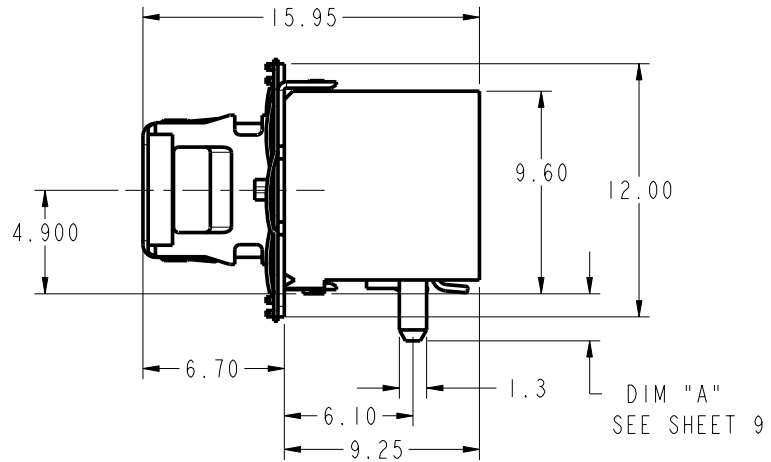
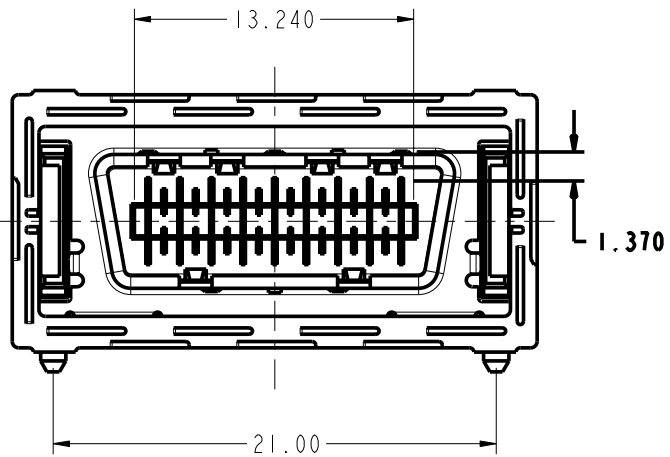
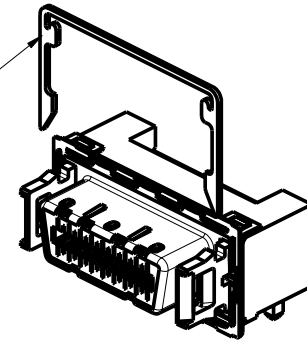


PRODUCT NUMBER
58368-11XXXX



LOCK PLATE SOLD SEPARATELY
SEE SHEET 8



Copyright FCI.

rev	ecn no	dr	date
D	V21720	GIP	2002-11-04
E	V21864	GIP	2002-12-12
F	V03-0087	GIP	2003-13-14
G	V04-0460	DAI	2004-06-07
H	V05-0063	TAB	2005-02-14
J	105-0258	HVN	2005-11-29
K	106-0123	HVN	2006-07-26

www.fciconnect.com			surface ASME Y14.5	<input checked="" type="checkbox"/>	tolerance std ASME Y14.5	-	projection 	MM
			TOLERANCES UNLESS OTHERWISE SPECIFIED				size A4	Scale 1:1
Dr	R. DRAGGOO	2002-01-07	ANGULAR		0.X	±.30	ECN	106-0123
Eng	S. OLSON	2001-09-11	LINEAR		0.XX	±.10	Spec ref	-
Chr	HIRAN V N	2006-07-26	0°	±2°	0.XXX	±.050		
Appr	HIRAN V N	2006-07-26	Product family InfiniBand					
FCI			4X R.A. RECEPT. ASS'Y			dwg no	58368	Rev. K
			w/o MOUNTING TABS			CUSTOMER		sheet 1 of 9
			catalog no					

REV F - 2006-04-17

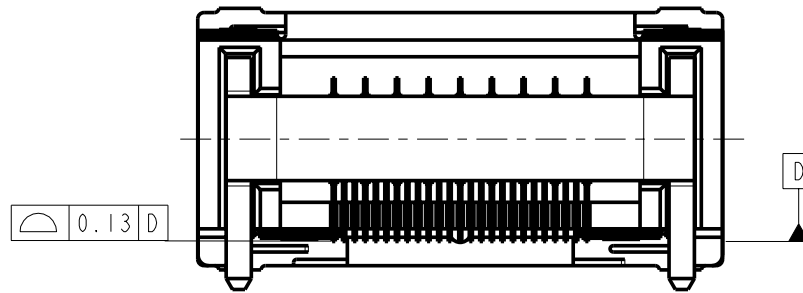
PDM: Rev:K

STATUS:Released

Printed: Jan 28, 2008

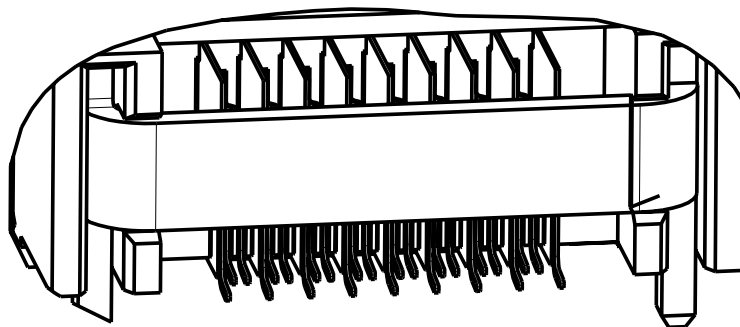


Copyright FCI.



COPLANARITY MEASUREMENT TO BE TAKEN
AT BOTTOM MOST POINT OF CONTACT TAILS

COPLANARITY ZONE IS BELOW DATUM D



SCALE 4:1

www.fciconnect.com			surface ASME Y14.5	✓	tolerance std ASME Y14.5	-	projection 	MM
			TOLERANCES UNLESS OTHERWISE SPECIFIED				size A4	Scale 1:1
Dr	R. DRAGGOO	2002-01-07	ANGULAR	LINEAR	0.X	±.30	ECN	106-0123
Eng	S. OLSON	2001-09-11			0.XX	±.10	Spec ref	-
Chr	HIRAN V N	2006-07-26	0°	±2°	0.XXX	±.050		
Appr	HIRAN V N	2006-07-26	Product family InfiniBand					
			4X R.A. RECEPT. ASS'Y w/o MOUNTING TABS			dwg no 58368		Rev. K
catalog no			CUSTOMER			sheet 2 of 9		

REV F - 2006-04-17

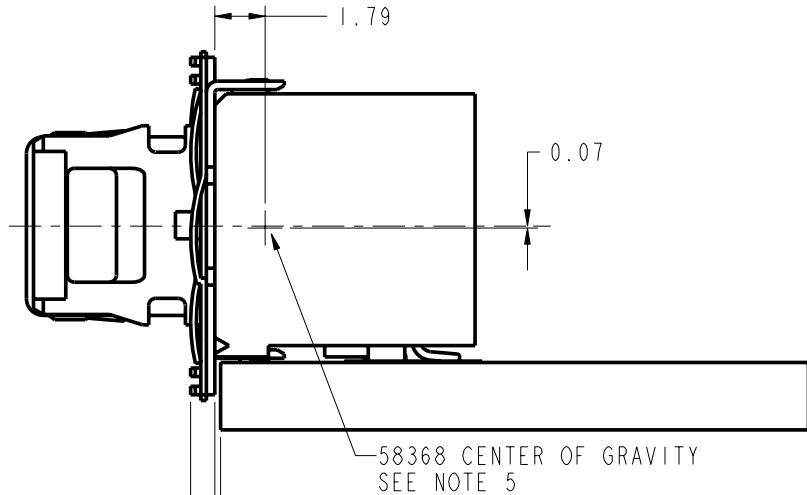
PDM: Rev:K

STATUS:Released

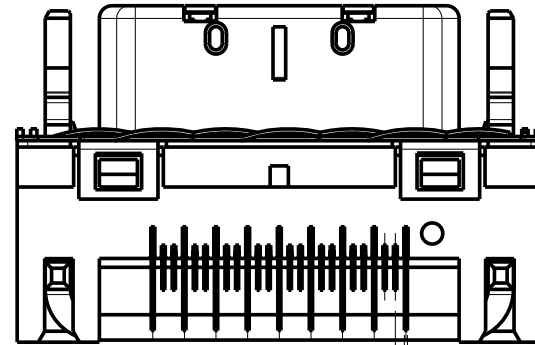
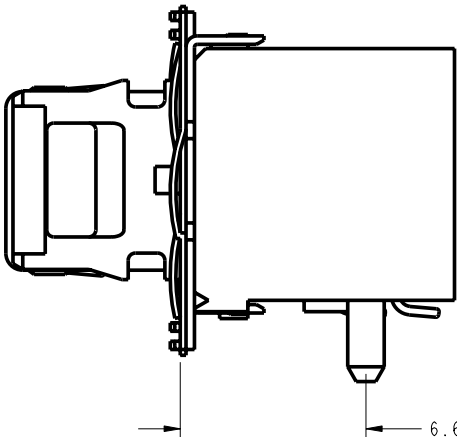
Printed: Jan 28, 2008



Copyright FCI.



0.20 DISTANCE FROM PCB TO REAR OF "D" SHELL
1.06 DISTANCE FROM PCB TO INSIDE OF BULKHEAD
OR PCI BRACKET. (WITH GASKET IN COMPRESSED STATE).

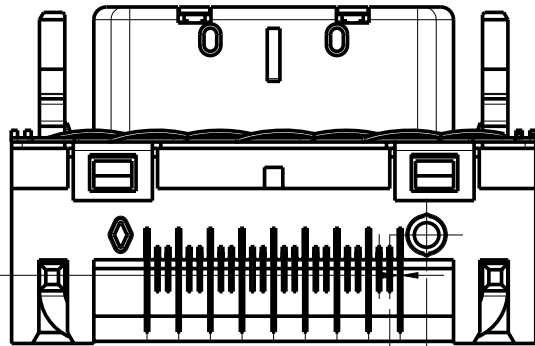


12

0.5 24X

0.15
(SOLDERTAILS 25X)

58368-XXX0XX (PRODUCT WITHOUT PEGS)



0.15
(SOLDERTAILS 25X)

12

1.25

0.5 24X

58368-XXX1XX (PRODUCT WITH PEGS)

www.fciconnect.com			surface ASME Y14.5	tolerance std ASME Y14.5	projection	MM	
			TOLERANCES UNLESS OTHERWISE SPECIFIED		size A4		Scale 1:1
Dr	R. DRAGGOO	2002-01-07	ANGULAR	0.X ±.30	ECN 106-0123		
Eng	S. OLSON	2001-09-11	LINEAR	0.XX ±.10	Spec ref -		
Chr	HIRAN V N	2006-07-26	0° ±2°	0.XXX ±.050			
Appr	HIRAN V N	2006-07-26	Product family InfiniBand				
FCI			4X R.A. RECEPT. ASS'Y		dwg no 58368		Rev. K
			w/o MOUNTING TABS		CUSTOMER		sheet 3 of 9
			catalog no				

REV F - 2006-04-17



Copyright FCI.

A

B

C

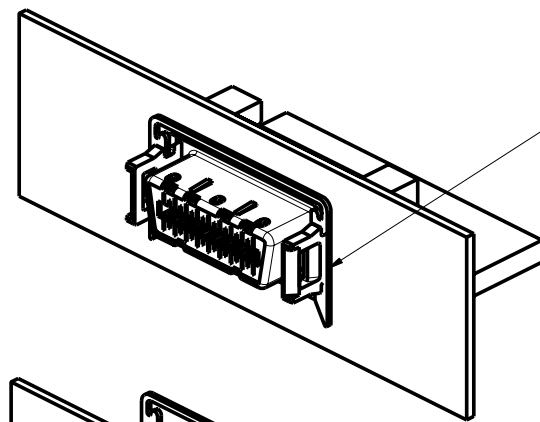
D

A

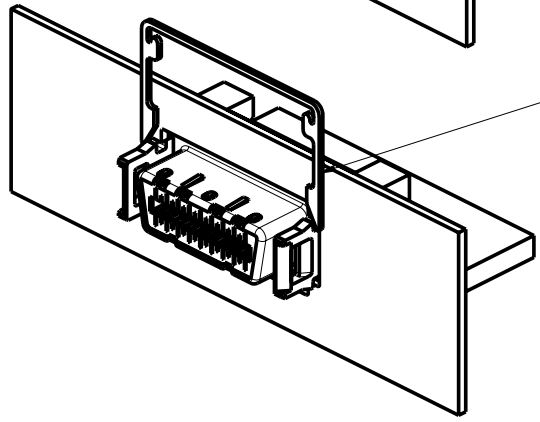
B

C

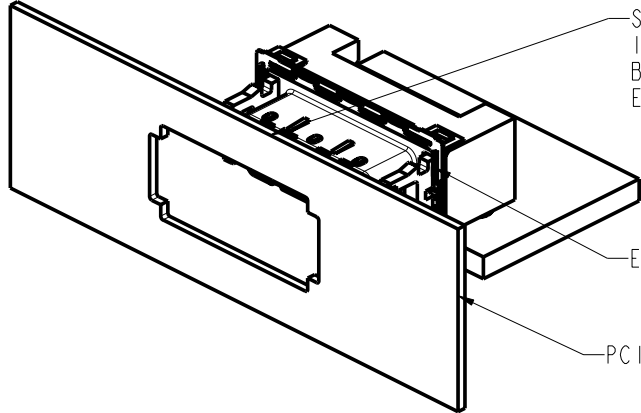
D



STEP 3
SLIDE LOCK PLATE(58378) DOWN
OVER CONNECTOR LATCHES.

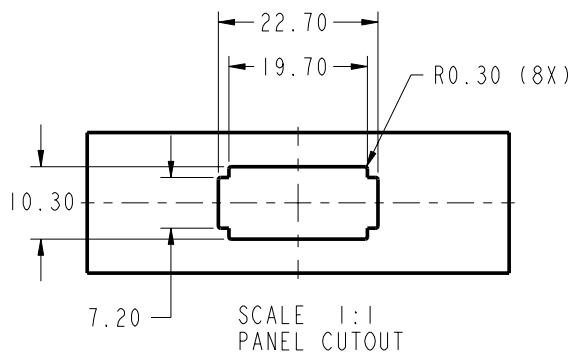


STEP 2
PLACE LOCK PLATE(58378) AGAINST
PCI BRACKET/PANEL SEE SHT. 9
FOR OPTIONS, PANEL THICKNESS.



STEP 1
INSERT CONNECTOR INTO PCI
BRACKET/PANEL COMPRESSING
EMI GASKET.

EMI GASKET
PCI BRACKET/PANEL



58378 RECEPTACLE LOCK PLATE APPLICATION

REV F - 2006-04-17

www.fciconnect.com			surface ASME Y14.5	✓	tolerance std ASME Y14.5	-	projection ⊕	MM ↔
			TOLERANCES UNLESS OTHERWISE SPECIFIED					
Dr	R. DRAGGOO	2002-01-07	ANGULAR	LINEAR	0.X	±.30	size A4	Scale 1:1
Eng	S. OLSON	2001-09-11			0.XX	±.10	ECN	106-0123
Chr	HIRAN V N	2006-07-26	0°	±2°	0.XXX	±.050	Spec ref	-
Appr	HIRAN V N	2006-07-26	Product family InfiniBand					
FCI Title 4X R.A. RECEPT. ASS'Y w/o MOUNTING TABS			dwg no 58368			Rev. K		
catalog no			CUSTOMER			sheet 4 of 9		

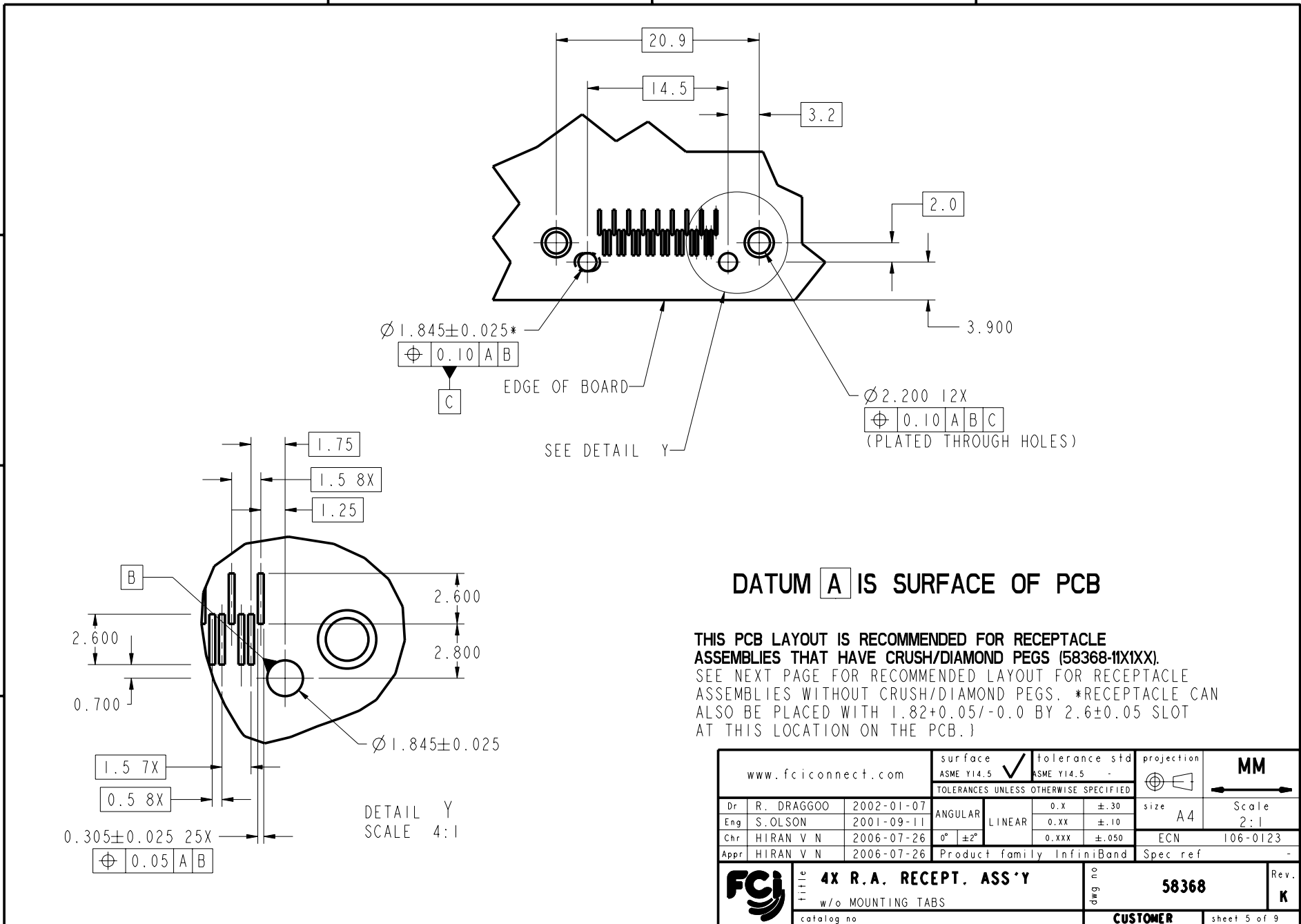
PDM: Rev:K

STATUS:Released

Printed: Jan 28, 2008



Copyright FCI.

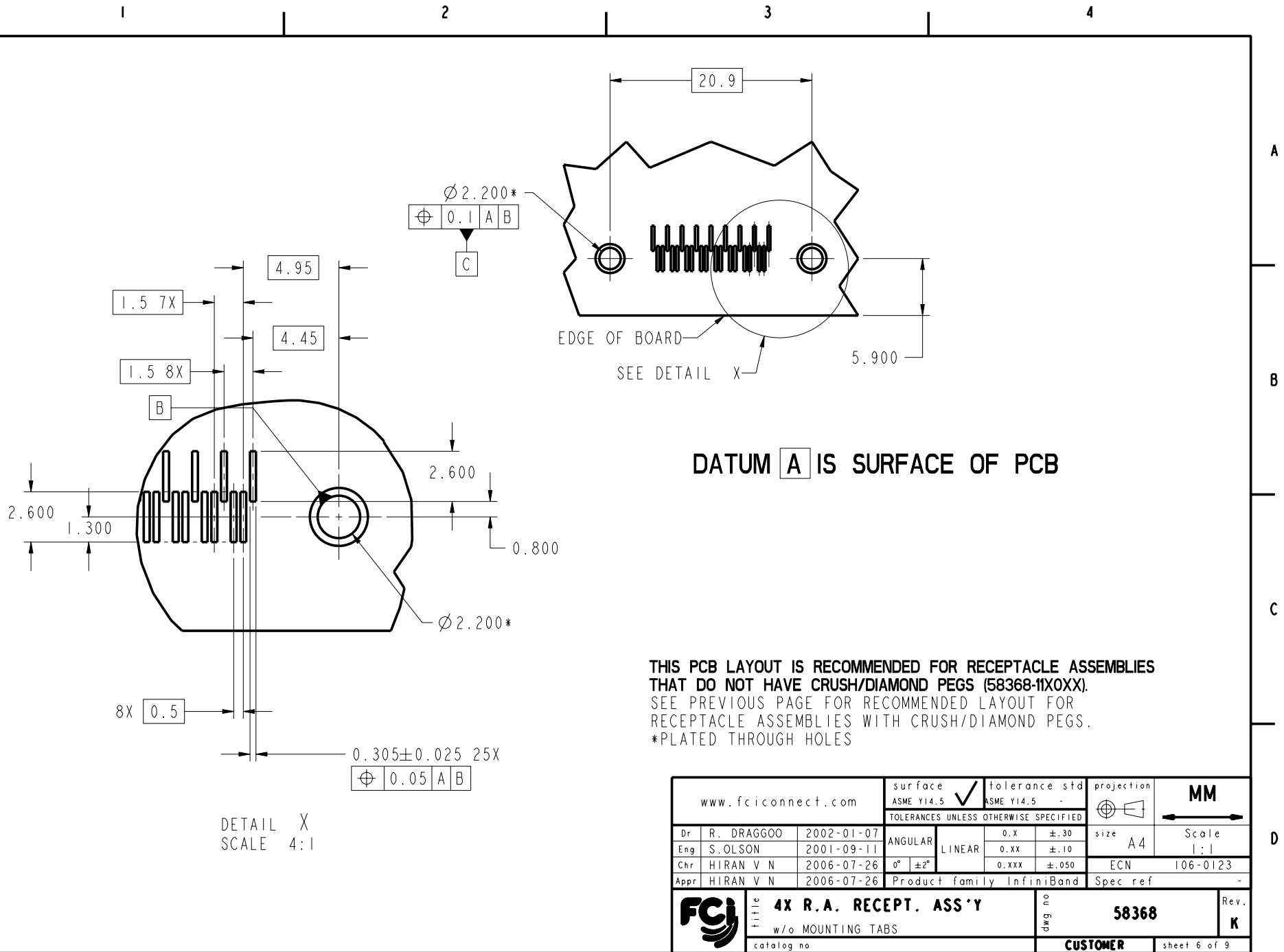


www.fciconnect.com			surface ASME Y14.5 <input checked="" type="checkbox"/>	tolerance std ASME Y14.5 -	projection 	MM	
			TOLERANCES UNLESS OTHERWISE SPECIFIED				
Dr	R. DRAGGOO	2002-01-07	ANGULAR	0.X	\pm .30	size	A4
Eng	S. OLSON	2001-09-11	LINEAR	0.XX	\pm .10	Scale	2:1
Chr	HIRAN V N	2006-07-26	0° \pm 2°	0.XXX	\pm .050	ECN	106-0123
Appr	HIRAN V N	2006-07-26	Product family InfiniBand			Spec ref	-
FCI			4X R.A. RECEPT. ASS'Y			dwg no	58368
w/o MOUNTING TABS						Rev.	K
catalog no			CUSTOMER			sheet 5 of 9	

REV F - 2006-04-17



Copyright FCI.



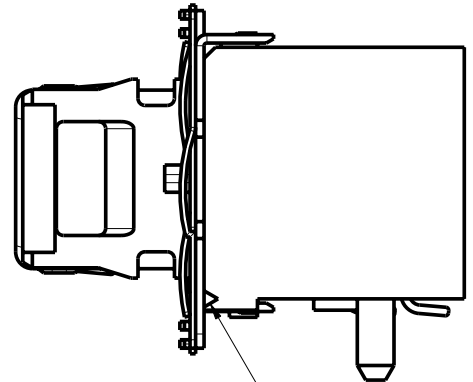
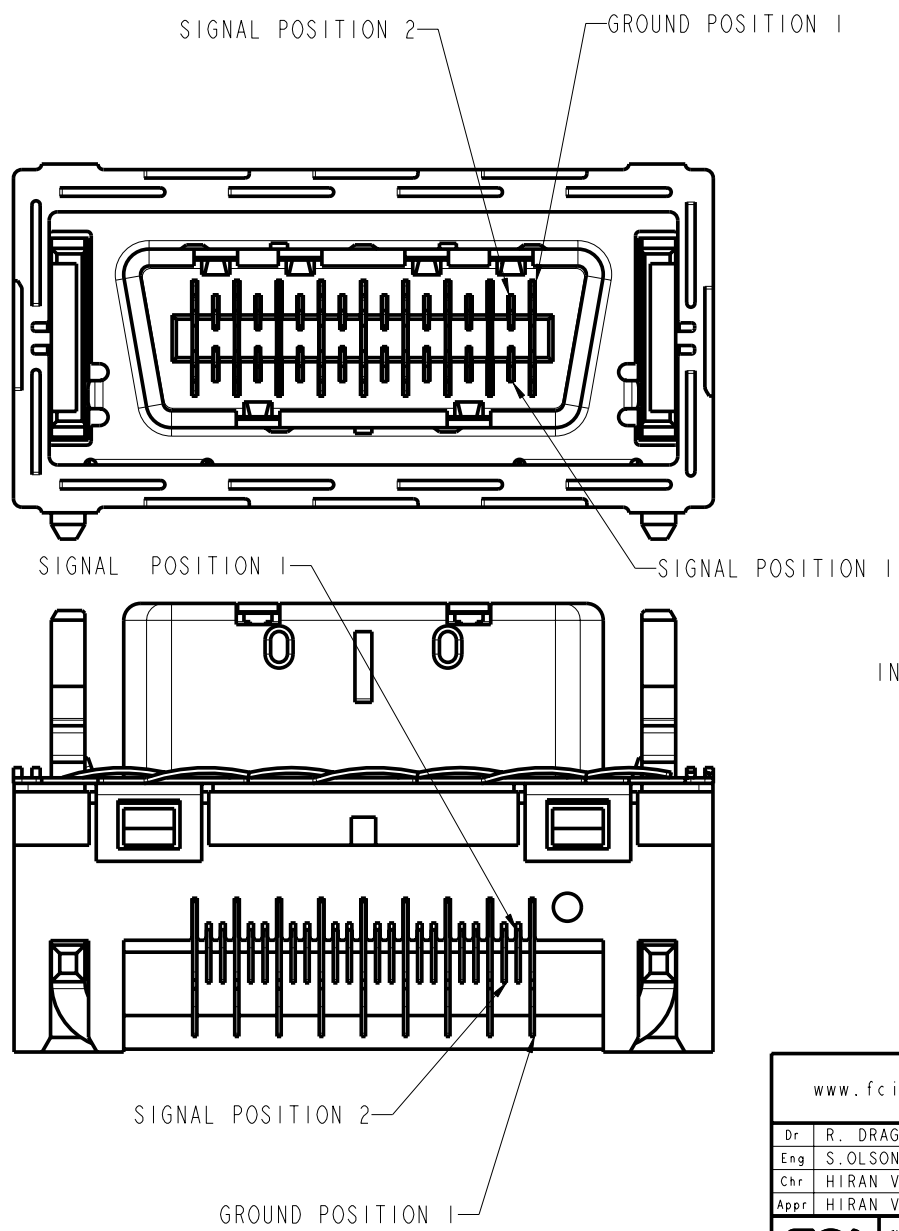
THIS PCB LAYOUT IS RECOMMENDED FOR RECEPTACLE ASSEMBLIES THAT DO NOT HAVE CRUSH/DIAMOND PEGS (58368-11X0XX). SEE PREVIOUS PAGE FOR RECOMMENDED LAYOUT FOR RECEPTACLE ASSEMBLIES WITH CRUSH/DIAMOND PEGS. *PLATED THROUGH HOLES

www.fciconnect.com		surface ASME Y14.5 ✓	tolerance std ASME Y14.5 -	projection MM	size A4	Scale 1:1
		TOLERANCES UNLESS OTHERWISE SPECIFIED				
Dr	R. DRAGGOO	2002-01-07	ANGULAR	0.X ±.30		
Eng	S. OLSON	2001-09-11	LINEAR	0.XX ±.10		
Chr	HIRAN V N	2006-07-26	0° ±2°	0.XXX ±.050	ECN	106-0123
Appr	HIRAN V N	2006-07-26	Product family InfiniBand		Spec ref	-
FCI		4X R.A. RECEPT. ASS'Y		dwg no	58368	
		w/o MOUNTING TABS			CUSTOMER	Rev. K
		catalog no			sheet 6 of 9	

REV F - 2006-04-17



Copyright FCI.



POSITION 1
INDICATOR (TRIANGLE)

www.fciconnect.com			surface ASME Y14.5	tolerance std ASME Y14.5	projection ASME Y14.5	size A4	Scale 1:1
			TOLERANCES UNLESS OTHERWISE SPECIFIED		MM		
Dr	R. DRAGGOO	2002-01-07	ANGULAR	LINEAR	0.X ±.30		
Eng	S. OLSON	2001-09-11			0.XX ±.10		
Chr	HIRAN V N	2006-07-26	0° ±2°		0.XXX ±.050	ECN	106-0123
Appr	HIRAN V N	2006-07-26	Product family InfiniBand			Spec ref	-
			4X R.A. RECEPT. ASS'Y w/o MOUNTING TABS			dwg no 58368	Rev. K
catalog no			CUSTOMER			sheet 7 of 9	

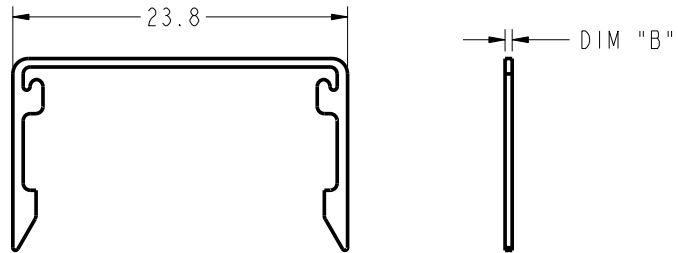
REV F - 2006-04-17

PDM: Rev:K

STATUS:Released

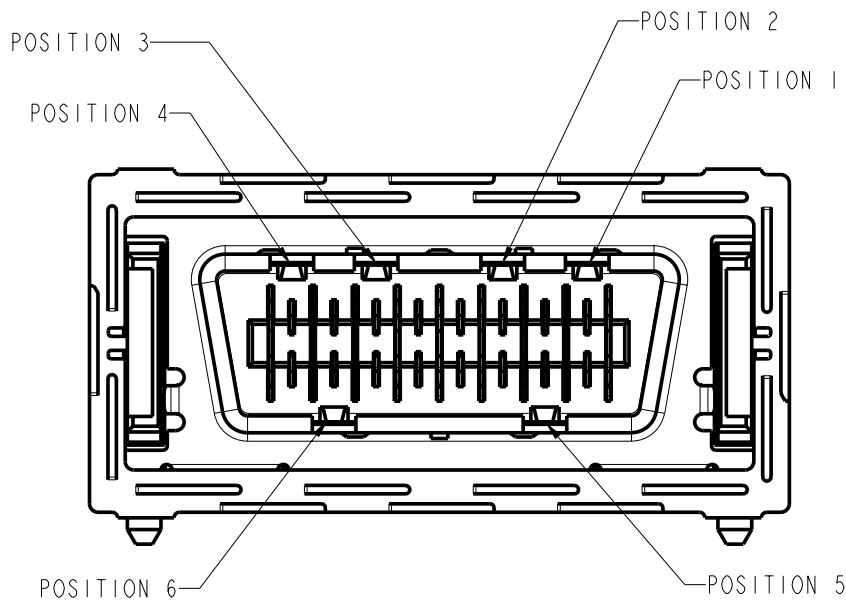
Printed: Jan 28, 2008

LOCK PLATE PART NUMBER	DIM "B"	SIZE	USED WITH		QTY PER BAG
			ASSEMBLY	PANEL THICKNESS	
58378-001	0.50	4X	58368	1.00±0.03mm/0.040±.001"	100
58378-011	0.30	4X	58368	1.20±0.03mm/0.047±.001"	100
58378-021	0.60	4X	58368	0.91±0.03mm/0.0359±.001" (20 GAGE PCI BRACKET)	100



THESE PANEL LOCK PLATES ARE TO BE ORDERED SEPARATELY

KEYING POSITIONS						
PART NUMBER	POSITION 1	POSITION 2	POSITION 3	POSITION 4	POSITION 5	POSITION 6
58368-11XXX2		X				X



www.fciconnect.com			surface ASME Y14.5	tolerance std ASME Y14.5	projection MM	TOLERANCES UNLESS OTHERWISE SPECIFIED	
Dr	R. DRAGGOO	2002-01-07	ANGULAR	LINEAR	0.X ±.30	size	A4
Eng	S. OLSON	2001-09-11	0° ±2°		0.XX ±.10	Scale	1:1
Chr	HIRAN V N	2006-07-26	Product family		0.XXX ±.050	ECN	106-0123
Appr	HIRAN V N	2006-07-26	InfiniBand		Spec ref		
FCI 4X R.A. RECEPT. ASS'Y w/o MOUNTING TABS			dwg no		58368		Rev. K
catalog no			CUSTOMER		sheet 8 of 9		

REV F - 2006-04-17

58368-1XXXXYY

- SOLDER TAIL PLATING
BLANK-TIN/LEAD
LF-LEAD FREE (SEE NOTE 2)
- KEYING OPTIONS, SEE SHEET 8
0-NONE
2-CUSTOM
- PACKAGING
1-TAPE & REEL
2-TRAY
- PEGS
0-NONE
1-CRUSH/DIAMOND PEGS
- PCB THICKNESS
1-1.6mm
2-2.4mm
3-4.0mm
- EMI GASKET
0-WITHOUT GASKET
1-WITH GASKET
- INTERFACE PLATING
1-Au over Ni

NOTES:)

- ① HOUSING MATERIAL: UL94 V-0 LCP RESIN.
SIGNAL PIN MATERIAL: COPPER ALLOY.
GROUND CONTACT MATERIAL: COPPER ALLOY.
- ② PLATING: LEAD FREE SOLDER TAILS 2μm (80μin) MIN MATTE TIN
OVER 1.27μm (50μin) MIN NICKEL UNDERPLATE.
- ③ P/N AND DATE CODE TO APPEAR
ON THIS SURFACE.
4. PRODUCT SPECIFICATION GS-12-209.
5. CONNECTOR WEIGHT = 6.38 grams
6. APPLICATION SPECIFICATION: GS-20-025
7. PACKAGING SPECIFICATION GS-14-794. PACKAGING OF LEAD FREE
PRODUCTS MEETS LABELING AND PACKAGING SPECIFICATION GS-14-920.
8. ALL DIMENSIONS ON PCB'S ARE BASIC UNLESS OTHERWISE SPECIFIED.
9. ALL HOLE DIAMETERS ON PCB'S ARE FINISHED HOLE SIZE
- ⑩ AREA ON TOP OF CONNECTOR IS FLAT & SMOOTH AND
CAN BE USED FOR VACUUM PICK & PLACE.
11. MATES WITH EYEMAX [®] PLUG 58443 (WITHOUT PCB),
58638 (WITH UNEQUALIZED PCB) OR 10026692 (WITH EQUALIZED PCB).
12. LEAD FREE PRODUCTS MEET EUROPEAN UNION DIRECTIVES AND
OTHER COUNTRY REGULATIONS AS DESCRIBED IN GS-22-008.
13. THE HOUSING WILL WITHSTAND EXPOSURE TO 260°C PEAK TEMPERATURE
FOR 15 SECONDS IN A CONVECTION, INFRARED OR VAPOR PHASE REFLOW
OVEN.

PRODUCT NUMBER	BOARD THICKNESS	DIM A
58368-111XXX	1.6mm	2.3
58368-112XXX	2.4mm	3.1
58368-113XXX	4.0mm	4.7

www.fciconnect.com		surface ASME Y14.5 <input checked="" type="checkbox"/>	tolerance std ASME Y14.5 -	projection 	MM
		TOLERANCES UNLESS OTHERWISE SPECIFIED			
Dr	R. DRAGGOO	2002-01-07	ANGULAR	LINEAR	size A4
Eng	S. OLSON	2001-09-11	0.X	±.30	Scale 1:1
Chr	HIRAN V N	2006-07-26	0° ±2°	0.XX ±.10	ECN 106-0123
Appr	HIRAN V N	2006-07-26	0.XXX ±.050	Product family InfiniBand	Spec ref -
FCI		4X R.A. RECEP. ASS'Y		dwg no	58368
		w/o MOUNTING TABS		CUSTOMER	Rev. K
		catalog no		sheet 9 of 9	



Copyright FCI.